

Alarm Panels (AP-375, AP-600)

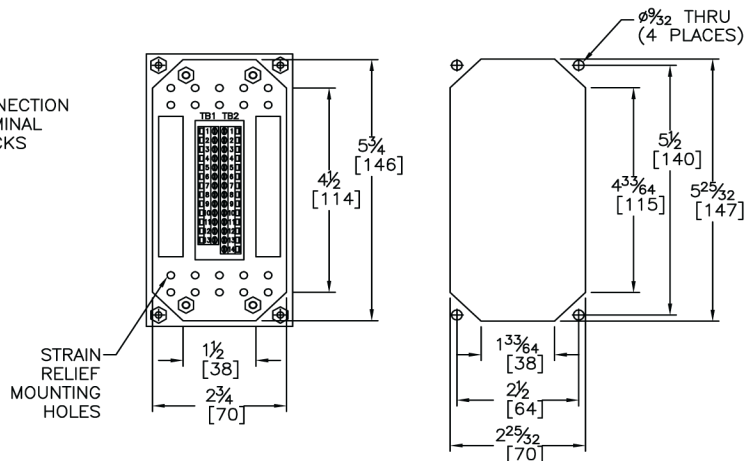
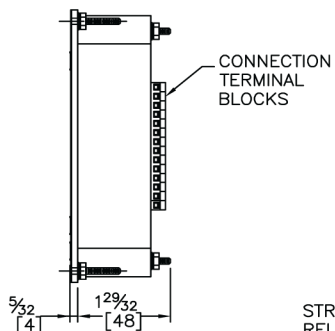
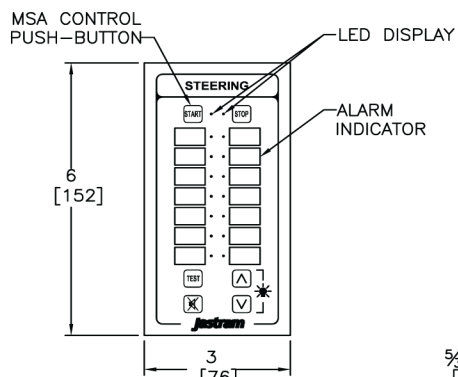


These customized panels provide visual and audible alarms at both local and remote stations.

- Dedicated Pushbuttons to test and silence the Alarm Processing Units indicators
- Dedicated buttons for dimming and brightening the backlighting
- Pushbuttons and Indicator options include
 - * Up to 11 standard steering gear alarms and indicators are provided
 - * AP - 375 can be designed with up to 9 buttons
 - * AP - 600 can be designed with up to 18 buttons
- LED visual indicators display normal operating and failure modes
- Multiple panels can be installed in the MSA system
- Optional Motor start and stop capability
- Dimensions:
 - * AP - 600 is 3" x 6" (76mm x 152mm),
 - * AP - 375 is 3 in. (76mm) wide by 3 3/4 in. (95mm) high



Specifications	
Indicator Common	PWM controlled sinking to ground
Indicator Signal Format	24 VDC from MSA
PWM Frequency	78 Hz
Output Current	750mA (Max.) per indicator
Connector	5.08mm spacing screw terminals



PANEL CUTOUT

